

LEDI (HBL) Commercial Linear High Bay

- Full feature commercial linear high bay
- Lightweight and modern design, ultra-narrow 12" extrusion
- Wattage Selectable HBL12: 125W-115W-105W-95W
- Wattage Selectable HBL14: 210W-190W-170W-150W
- Wattage Selectable HBL14: 320W-300W-280W-260W
- CCT: 5000K @ CRI Ra80+
- Features premium SMD 2835 LED chips
- Class P programmable driver with 12VDC auxiliary
- 0-10V dimming feature
- 165lm/W efficacy
- Optional bi-level dimming plug-and-play PIR sensor
- Sensor settings can be changed and saved using the accompanying infrared remote control - sold separately
- Large integrated junction box
- Supplied with a suspension kit including a set of carabiners + 5ft suspension air craft cables
- Optional surface mounting kit with integrated junction box suitable for NPT mounting
- Optional wire guard
- LED high bay panels are adjustable up to 60° for narrow and wide lighting distributions
- Suitable for production or warehouse applications and narrow aisle ways
- 120° optics
- Polycarbonate opal diffuser lens, low glare, 88% transmission rate
- 22 gauge stainless steel housing provides a strong structure and improved heat dissipation
- Arctic white powder coated finish
- Colour Rendering Index (CRI) Ra80
- Input line voltage: 120-347VAC; 50/60Hz
- Power factor: >0.9
- Ingress protection: IP20
- Impact protection: IK02
- Suitable for damp locations
- Operating temperature: -30°C~50°C
- Rated lifespan ≥50,000hours (L80B20 @25°C)
- 5-Year Warranty

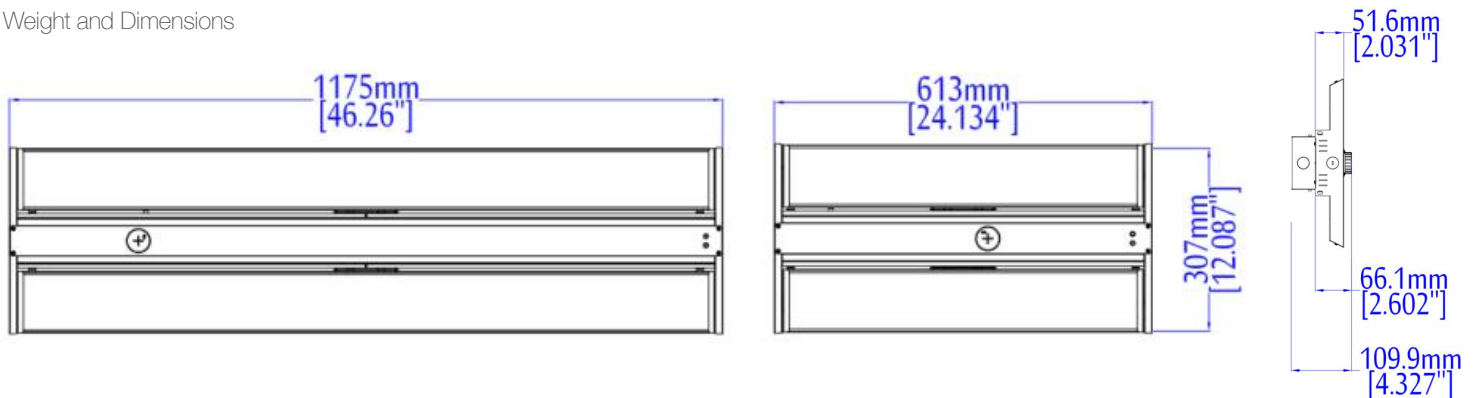
Part #	Wattage Setting	Rated Lumens @5000K Ra80
LEDI-HBL12	125W	20,625lm
	115W	18,975lm
	105W	17,325lm
	95W	15,675lm
LEDI-HBL14	210W	34,650lm
	190W	31,350lm
	170W	28,050lm
	150W	24,750lm
LEDI-HBL14	320W	52,800lm
	300W	49,500lm
	280W	46,200lm
	260W	42,900lm



Ordering Guide

Series	Wattage (W) Selectable	Lens Type	Function	Voltage	CCT/CRI	Mounting Style	Options
LEDI HBL12	125: 125W-115W- 105W-95W	F: Frosted	CTPA1: Wattage Selectable	HV1: 120-347VAC; 50/60Hz	S1: 5000K @ CRI Ra80+	<input type="checkbox"/> SK1: Suspension Kit <input type="checkbox"/> SK2: Surface Mounting Kit	<input type="checkbox"/> N: No Sensor <input type="checkbox"/> PIR: Plug & Play PIR Sensor <input type="checkbox"/> WG: Wire Guard
LEDI HBL14	210: 210W-190W- 170W-150W	F: Frosted	CTPA1: Wattage Selectable	HV1: 120-347VAC; 50/60Hz	S1: 5000K @ CRI Ra80+	<input type="checkbox"/> SK1: Suspension Kit <input type="checkbox"/> SK2: Surface Mounting Kit	<input type="checkbox"/> N: No Sensor <input type="checkbox"/> PIR: Plug & Play PIR Sensor <input type="checkbox"/> WG: Wire Guard
LEDI HBL14	320: 320W-300W- 280W-260W	F: Frosted	CTPA1: Wattage Selectable	HV1: 120-347VAC; 50/60Hz	S1: 5000K @ CRI Ra80+	<input type="checkbox"/> SK1: Suspension Kit <input type="checkbox"/> SK2: Surface Mounting Kit	<input type="checkbox"/> N: No Sensor <input type="checkbox"/> PIR: Plug & Play PIR Sensor <input type="checkbox"/> WG: Wire Guard

Weight and Dimensions



Part #	LEDI-HBL12-125	LEDI-HBL14-210	LEDI-HBL14-320
Product Dimensions	613mm x 110mm x 307mm	1175mm x 110mm x 307mm	1175mm x 110mm x 307mm
Packaging Dimensions	684mm x 235mm x 465mm	1235mm x 235mm x 465mm	1235mm x 235mm x 465mm
Net Weight (luminaire)	3.54kg	5.46kg	5.46kg
Gross Weight (luminaire)	3.73kg	5.72kg	5.72kg
Net Weight (packaging)	14.16kg	21.84kg	21.84kg
Gross Weight (packaging)	14.90kg	22.85kg	22.85kg
Case Quantity	4	4	4





PROJECT
SCHEDULE
NOTES

DATE

PIR: Plug & Play PIR Sensor

- Dual PD Technology: sensor has the ability to differentiate between daylight and artificial light
- Input Voltage: 12VDC | Output: 0-10V, 25mA sinking current
- Mounting Height: Maximum 40ft. Detection Range: 30ft @ 40ft height in diameter
- IR remote commissioning: memory setting via remote controller
- Integrated daylight sensor

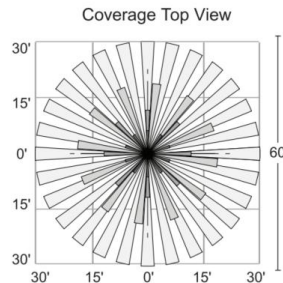
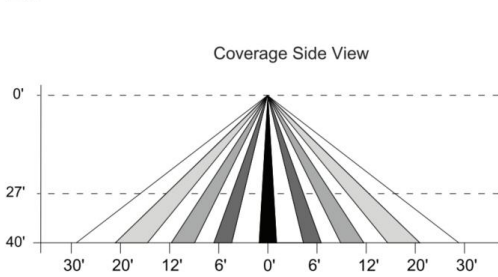
Standard Setting | Optional Settings

- Sensitivity: 100% | 25%, 50%, 75%, 100%
- Daylight Sensor: Disabled | Ambient Learn, 10lux, 30lux, 50lux, 100lux, 300lux, 500lux, Disabled
- Hold Time: 5min | 10s, 1min, 5min, 10min, 15min, 20 min, 30min, 60min
- Daylight Sensor: Never Turn Off | 1min, 30min, 1h, Never Turn Off
- Twilight Detection Level: 20% | Off, 10%, 20%, 50%



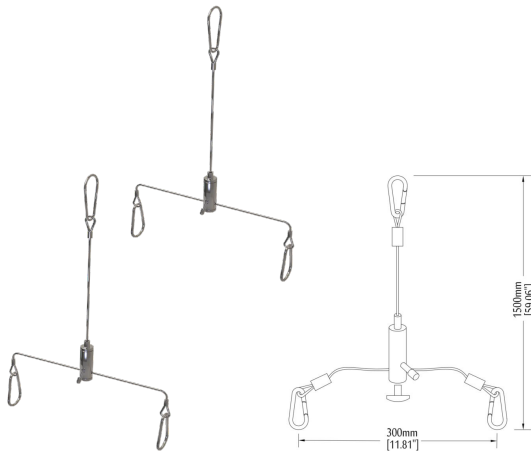
Detection Pattern

L3



L3: 360° Coverage

SK1: Suspension Kit



SK2: Surface Mounting Kit

