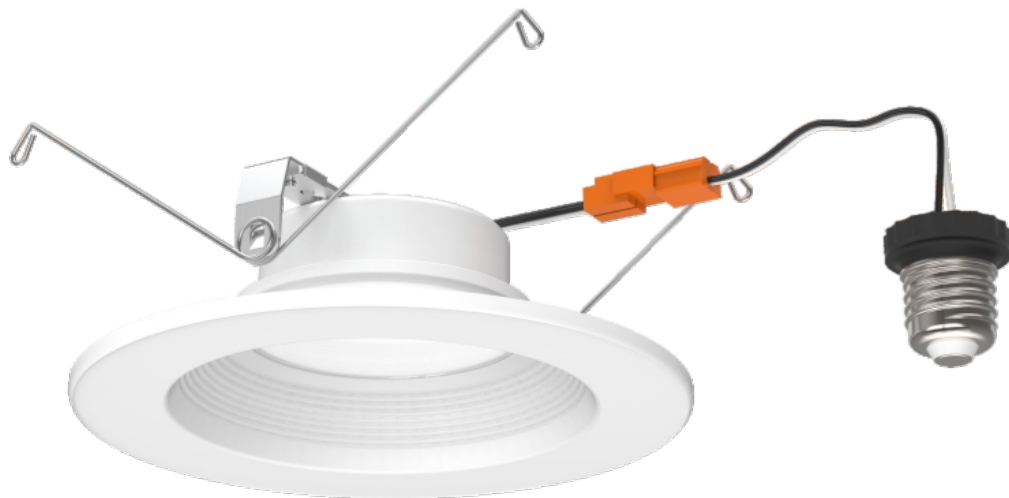


LEDI (HTL6) LED E26 Retrofit Down Light

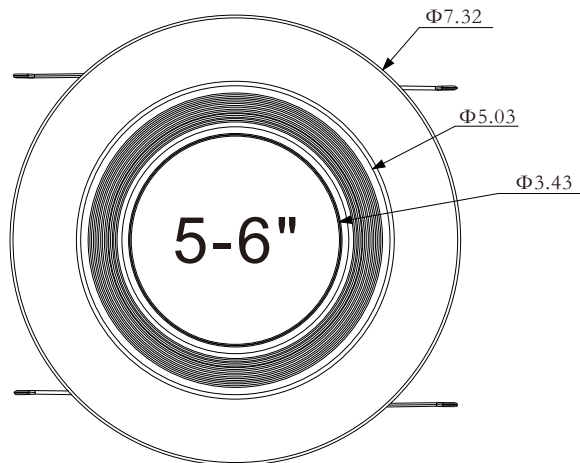
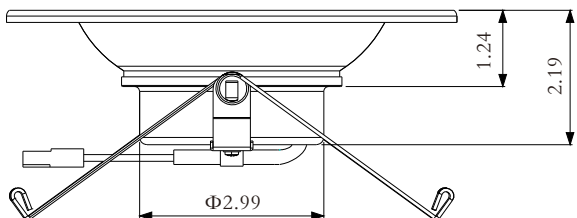
- Energy saving retrofit solution
- Designed for traditional 5-6" recessed down light cans
- Lightweight and modern design
- E26 adaptor included
- Suitable for residential or commercial indoor applications
- 1,050lm package
- 15W replaces up to 120W incandescent
- 2700K, 3000K, 3500K, 4000K or 5000K CCT
- Features premium SMD 2835 LED chips
- IC Rated and AirTight Certified
- TRIAC incandescent dimming feature
- Uniform light distribution and consistent colour
- Integrated spring clips and torsion bracket for quick and easy installation
- Standard 85° optics (flood)
- Polycarbonate diffuser lens, low glare
- Aluminum housing featuring a durable polyester powder coating
- Colour Rendering Index Ra90
- Input line voltage: 120VAC; 60Hz
- Power factor: >0.8
- Impact protection: IK08
- Suitable for damp and wet locations
- Operating temperature: -15°C~50°C
- Operating humidity: Max. 95% RH
- Rated lifespan ≥50,000hours (L80B20 @25°C)
- 3-Year Warranty



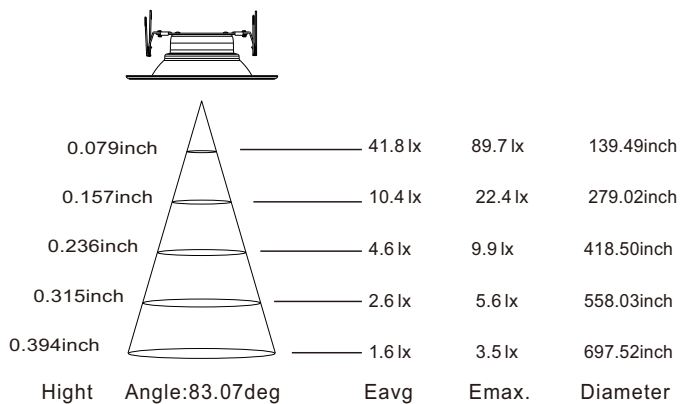
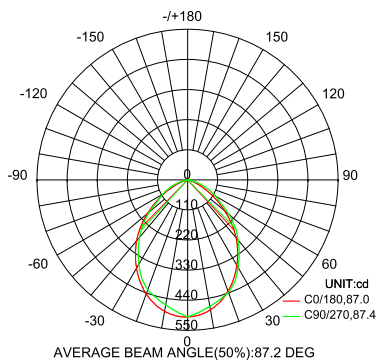
Model Number: LEDI-HTL6-015-AL-9**K-01(B)D



Weight and Dimensions



Beam Distribution



Electrical Connection

