



# EPD-332T8MIC (AM47A)

## 347V T8 Instant Start Ballast

### Application and Performance Specification

Ballast Type	Electronic	Ballast Factor	High
Starting Method	Instant Start	Minimum Starting Temp.	-18°C / 0°F
Lamp Connection	Parallel	Approvals Class	UL / cUL Listed, Class P UL Type 1 Outdoor
Lamps Operated	1 or 2		
Input Voltage	347VAC; 50/60Hz	Warranty	5 Years $t_c \leq 75^\circ\text{C}$ 3 Years $75^\circ\text{C} < t_c \leq 90^\circ\text{C}$
EMI / RFI Compliance	FCC Part 18-A		
Sound Rating	Class A	Safety & Performance	Auto-Reset Shutdown Circuit Surge Protected Type HL No PCBs NRCan Energy Verified

### Electrical Data

Lamp Type	Lamps Operated	Line Voltage	Input Watts*	Nominal Line Amps	Ballast Factor	Power Factor	THD	Crest Factor
F32T8	2	347	57	0.19	0.88	0.99	10%	1.70
	1		37	0.10	1.08	0.99	10%	
F25T8	2	347	47	0.13	0.95	0.99	10%	1.70
	1		30	0.08	1.13	0.98	15%	
F17T8	2	347	36	0.10	1.03	0.99	10%	1.70
	1		20	0.06	1.45	0.99	10%	
F40T8	1	347	43	0.12	1.00	0.99	10%	1.70
F30T8 (ES)	2	347	56	0.16	0.88	0.99	10%	1.70
	1		36	0.10	1.20	0.99	10%	
F28T8 (ES)	2	347	50	0.14	0.88	0.99	10%	1.70
	1		32	0.09	1.20	0.99	10%	
F25T8 (ES)	2	347	45	0.13	0.88	0.99	10%	1.70
	1		30	0.09	1.25	0.99	10%	

\* ANSI measured wattage; 25°C ambient; bench top  
Application and Performance Specification Information is subject to change without notification.



# EPD-332T8MIC (AM47A)

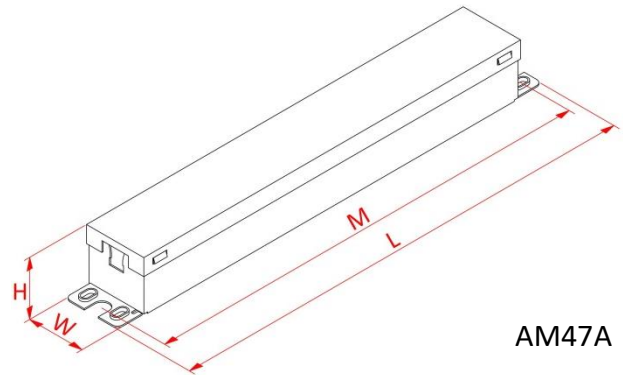
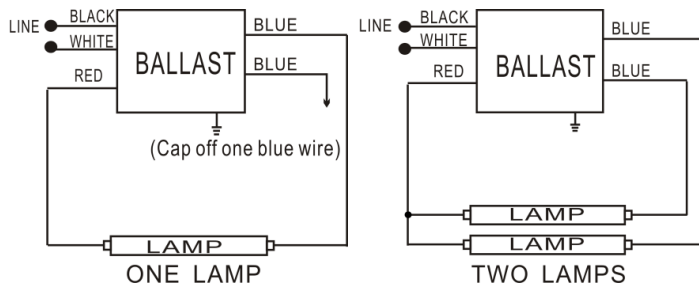
## 347V T8 Instant Start Ballast

### Wiring Diagram

### Mechanical Data

Black	18.80"	48.00 cm
White	18.80"	48.00 cm
Blue	30.90"	78.50 cm
Red	46.40"	118.00 cm

Overall Length (L)	9.50"	24.10 cm
Width (W)	1.26"	3.20 cm
Height (H)	1.14"	2.90 cm
Mounting (M)	8.90"	22.6 cm
Case Quantity	30	
Net Weight	27.34 lbs	12.40 kg
Gross Weight	29.54 lbs	13.40 kg



AM47A

Maximum wiring distance (at full load) is 18AWG/18'  
Ballast must be grounded

Install in accordance with the National Electrical Code

