



# EPD-A75S (AM108)

# T12 Active Instant Start Ballast

## Application and Performance Specification

Ballast Type	Electronic	Ballast Factor	High
Starting Method	Active Instant Start	Minimum Starting Temp.	-18°C / 0°F
Lamp Connection	Parallel	Approvals Class	UL / cUL Listed, Class P UL Type 1 Outdoor
Lamps Operated	1 or 2		
Input Voltage	120-277VAC; 50/60Hz	Warranty	5 Years $t_c \leq 75^\circ\text{C}$ 3 Years $75^\circ\text{C} < t_c \leq 90^\circ\text{C}$
EMI / RFI Compliance	FCC Part 18-A		
Sound Rating	Class A	Safety	Auto-Reset Shutdown Circuit Surge Protected Type HL No PCBs DOE Energy Verified

## Electrical Data

Lamp Type	Lamps Operated	Line Voltage	Input Watts*	Nominal Line Amps	Ballast Factor	Power Factor	THD	Crest Factor
F96WT12	2	120	140	1.26	0.90	0.99	10%	1.70
		230		0.64		0.99	10%	
		277		0.52		0.99	10%	
	1	120	89	0.75	1.02	0.99	10%	
		230		0.40		0.98	10%	
		277		0.33		0.98	10%	
F84WT12	2	120	124	1.10	0.90	0.99	10%	1.70
		230		0.55		0.99	10%	
		277		0.46		0.99	10%	
	1	120	79	0.70	1.04	0.99	10%	
		230		0.35		0.98	10%	
		277		0.29		0.98	15%	
F72WT12	2	120	107	0.94	0.91	0.99	10%	1.70
		230		0.48		0.99	10%	
		277		0.39		0.99	10%	
	1	120	68	0.58	1.04	0.99	10%	
		230		0.30		0.98	15%	
		277		0.25		0.98	15%	
F64WT12	2	120	96	0.68	1.04	0.99	10%	1.70





# EPD-A75S (AM108)

# T12 Active Instant Start Ballast

## Electrical Data

Lamp Type	Lamps Operated	Line Voltage	Input Watts*	Nominal Line Amps	Ballast Factor	Power Factor	THD	Crest Factor
	1	230	63	0.43	0.90	0.99	10%	
		277		0.35		0.98	10%	
		120		0.54		0.99	10%	
		230		0.28		0.98	10%	
		277		0.23		0.98	15%	
F60WT12	2	120	91	0.80	0.90	0.99	10%	1.70
		230		0.41		0.98	10%	
		277		0.34		0.98	10%	
	1	120	60	0.51	1.08	0.99	10%	
		230		0.27		0.98	15%	
		277		0.22		0.98	15%	
F48WT12	2	120	73	0.65	0.90	0.99	10%	1.70
		230		0.32		0.98	10%	
		277		0.27		0.98	15%	
	1	120	48	0.42	1.10	0.99	10%	
		230		0.22		0.98	15%	
		277		0.18		0.97	15%	
F96T12 (ES)	2	120	105	0.88	0.90	0.99	10%	1.70
		230		0.47		0.99	10%	
		277		0.39		0.98	10%	
	1	120	68	0.57	1.04	0.99	10%	
		230		0.30		0.98	15%	
		277		0.25		0.98	15%	

\* ANSI measured wattage; 25°C ambient; bench top  
Application and Performance Specification Information is subject to change without notification.

## Wiring Diagram

## Mechanical Data

Black	18.80"	48.00 cm	Overall Length (L)	9.50"	24.10 cm
White	18.80"	48.00 cm	Width (W)	1.70"	4.30 cm
Blue	40.00"	101.60 cm	Height (H)	1.20"	3.05 cm
Red	68.50"	167.10 cm	Mounting (M)	8.90"	22.6 cm



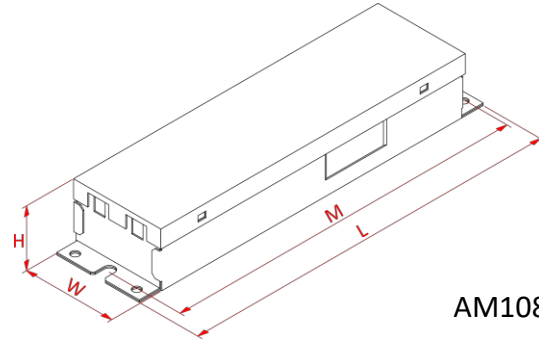
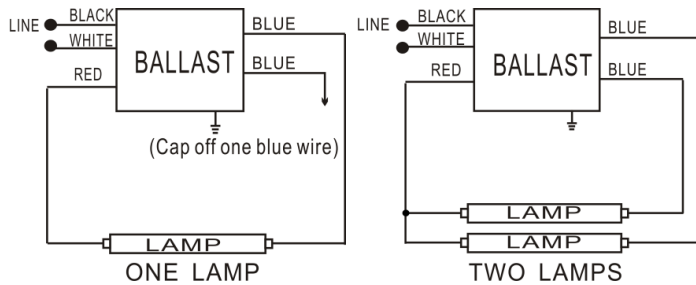
# EPD-A75S (AM108)

## T12 Active Instant Start Ballast

### Wiring Diagram

### Mechanical Data

Case Quantity	30	
Net Weight	39.02 lbs	17.70 kg
Gross Weight	41.23 lbs	18.70 kg



**AM108**

Maximum wiring distance (at full load) is 18AWG/18'  
Ballast must be grounded

Install in accordance with the National Electrical Code

