



ESD-A40M (AM103)

T12 Rapid Start Ballast

Application and Performance Specification

Ballast Type	Electronic	Ballast Factor	High
Starting Method	Rapid Start	Minimum Starting Temp.	-30°C / -22°F
Lamp Connection	Series	Approvals Class	UL / cUL Listed, Class P UL Type 1 Outdoor
Lamps Operated	1 or 2		
Input Voltage	120-277VAC; 50/60Hz	Warranty	5 Years $t_c \leq 75^\circ\text{C}$ 3 Years $75^\circ\text{C} < t_c \leq 90^\circ\text{C}$
EMI / RFI Compliance	FCC Part 18-A		
Sound Rating	Class A	Safety	Auto-Reset Shutdown Circuit Surge Protected Type HL No PCBs DOE Energy Verified NRCAN Energy Verified

Electrical Data

Lamp Type	Lamps Operated	Line Voltage	Input Watts*	Nominal Line Amps	Ballast Factor	Power Factor	THD	Crest Factor
F40T12	2	120	72	0.66	0.87	0.99	10%	1.70
		230		0.31		0.99	10%	
		277		0.28		0.99	10%	
	1	120	42	0.35	0.92	0.99	15%	
		230		0.18		0.99	15%	
		277		0.15		0.99	15%	
F34T12	2	120	64	0.53	0.87	0.99	10%	1.70
		230		0.28		0.99	10%	
		277		0.23		0.99	10%	
	1	120	40	0.34	0.92	0.99	20%	
		230		0.17		0.99	15%	
		277		0.14		0.99	20%	
F30T12	2	120	60	0.51	0.85	0.99	10%	1.70
		230		0.26		0.99	10%	
		277		0.22		0.99	10%	
	1	120	36	0.31	0.95	0.99	10%	
		230		0.16		0.99	15%	



ESD-A40M (AM103)

T12 Rapid Start Ballast

Electrical Data

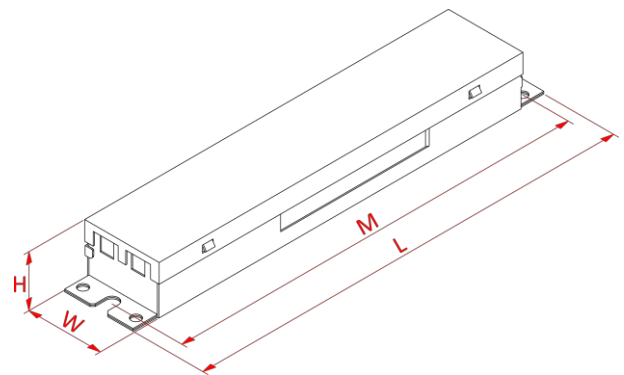
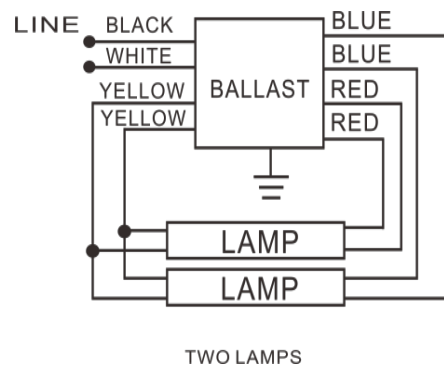
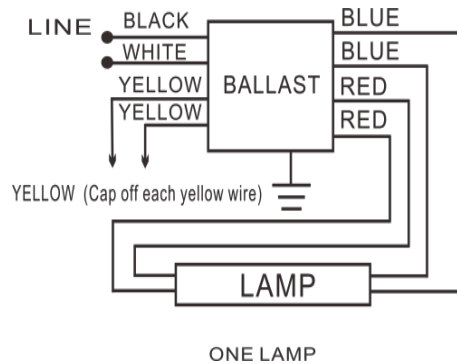
Lamp Type	Lamps Operated	Line Voltage	Input Watts*	Nominal Line Amps	Ballast Factor	Power Factor	THD	Crest Factor
		277		0.13		0.99	15%	

* ANSI measured wattage; 25°C ambient; bench top
Application and Performance Specification Information is subject to change without notification.

Wiring Diagram

Mechanical Data

Black	18.80"	48.00 cm	Overall Length (L)	9.50"	24.10 cm
White	18.80"	48.00 cm	Width (W)	1.70"	4.30 cm
Blue	30.90"	78.50 cm	Height (H)	1.20"	3.05 cm
Red	30.90"	78.50 cm	Mounting (M)	8.90"	22.6 cm
Yellow	46.40"	118.00 cm	Case Quantity	30	
			Net Weight	39.02 lbs	17.70 kg
			Gross Weight	41.23 lbs	18.70 kg



Maximum wiring distance (at full load) is 18AWG/18'
Ballast must be grounded

Install in accordance with the National Electrical Code

