



EPD-A59T8M (AM103)

T8 Instant Start Ballast

Application and Performance Specification

Ballast Type	Electronic	Ballast Factor	High
Starting Method	Instant Start	Minimum Starting Temp.	0°C / 32°F
Lamp Connection	Parallel	Approvals Class	UL / cUL Listed, Class P UL Type 1 Outdoor
Lamps Operated	1 or 2		
Input Voltage	120-277VAC; 50/60Hz	Warranty	5 Years $t_c \leq 75^\circ\text{C}$ 3 Years $75^\circ\text{C} < t_c \leq 90^\circ\text{C}$
EMI / RFI Compliance	FCC Part 18-A		
Sound Rating	Class A	Safety & Performance	Auto-Reset Shutdown Circuit Surge Protected Type HL No PCBs DOE Energy Verified

Electrical Data

Lamp Type	Lamps Operated	Line Voltage	Input Watts*	Nominal Line Amps	Ballast Factor	Power Factor	THD	Crest Factor
F96T8	2	120	107	0.90	0.89	0.99	10%	1.70
		230		0.47		0.98	10%	
		277		0.39		0.98	10%	
	1	120	66	0.55	1.00	0.98	15%	
		230		0.29		0.98	15%	
		277		0.24		0.97	15%	
F96T8 (ES)	2	120	102	0.85	0.88	0.99	10%	1.70
		230		0.45		0.98	10%	
		277		0.37		0.99	10%	
	1	120	62	0.52	1.00	0.98	15%	
		230		0.27		0.98	15%	
		277		0.22		0.97	15%	

* ANSI measured wattage; 25°C ambient; bench top
Application and Performance Specification Information is subject to change without notification.



EPD-A59T8M (AM103)

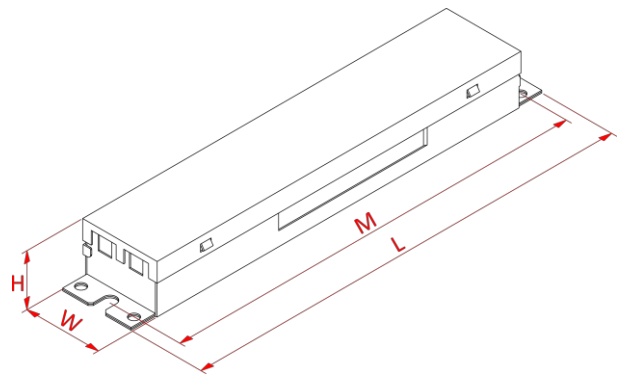
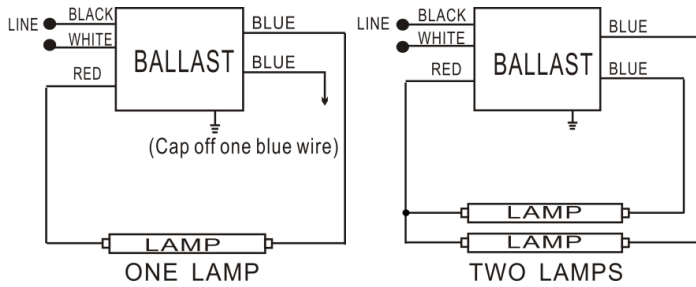
T8 Instant Start Ballast

Wiring Diagram

Mechanical Data

Black	18.80"	48.00 cm
White	18.80"	48.00 cm
Blue	30.90"	78.50 cm
Red	46.40"	118.00 cm

Overall Length (L)	9.50"	24.10 cm
Width (W)	1.70"	4.30 cm
Height (H)	1.20"	3.05 cm
Mounting (M)	8.90"	22.6 cm
Case Quantity	30	
Net Weight	39.46 lbs	17.90 kg
Gross Weight	41.67 lbs	18.90 kg



Maximum wiring distance (at full load) is 18AWG/18'
Ballast must be grounded

Install in accordance with the National Electrical Code

